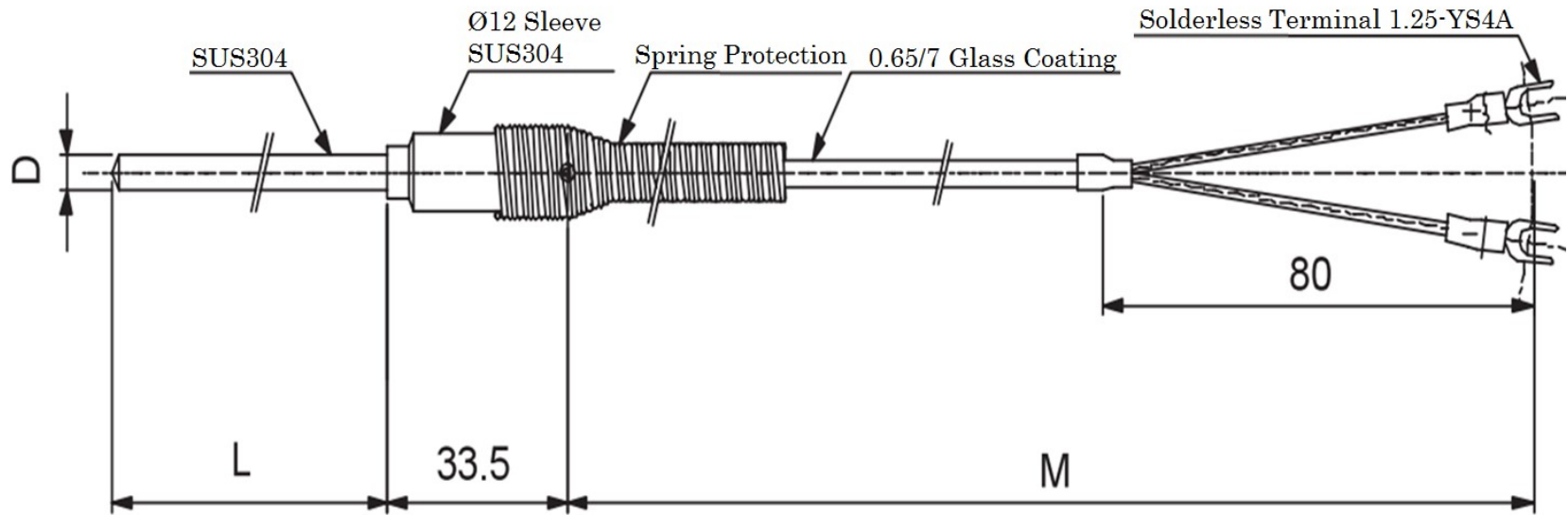


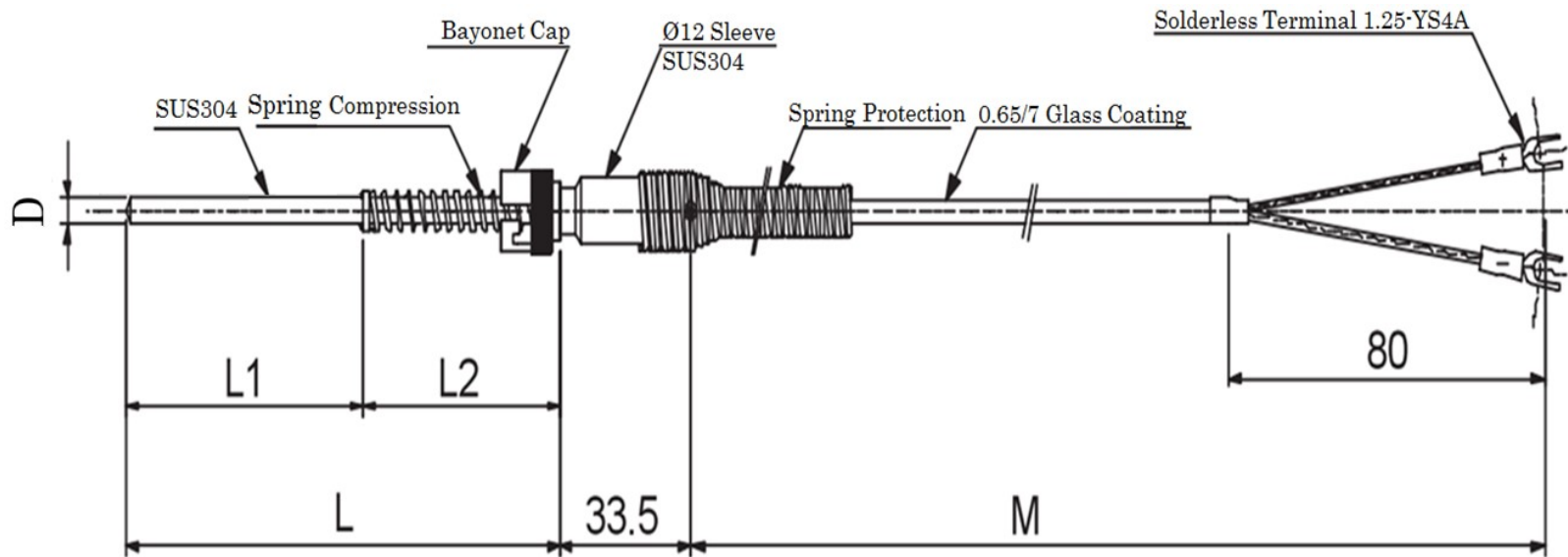
PC-A			
<u>RANGE</u>	<u>WIRE DIA</u>	<u>PROTECTION TUBE MATERIALS</u>	<u>LEAD LENGTH</u>
Min Temp:.....(°C)	Ø0.65mm	Brass • SUS-304	M=0.5m unit
Max Temp:.....(°C)	Other:	Other:	(Selling separately)
			Other:
<u>SENSOR TYPE</u>	<u>PROTECTION TUBE DIA</u>	<u>HEAT SENSOR PART</u>	
Type K	D= Ø5mm	L=65mm	
Type J	Other:	L=100mm	
Other:		Other:	
NOTE (Working temperature, measure object, etc.):			
.....			

Shinko SHINKO TECHNOS CO., LTD.
 Reg. Office: 2-5-1, Senbahigashi, Minoo, Osaka, Japan
 URL : <http://www.shinko-technos.co.jp>
 MADE IN JAPAN 



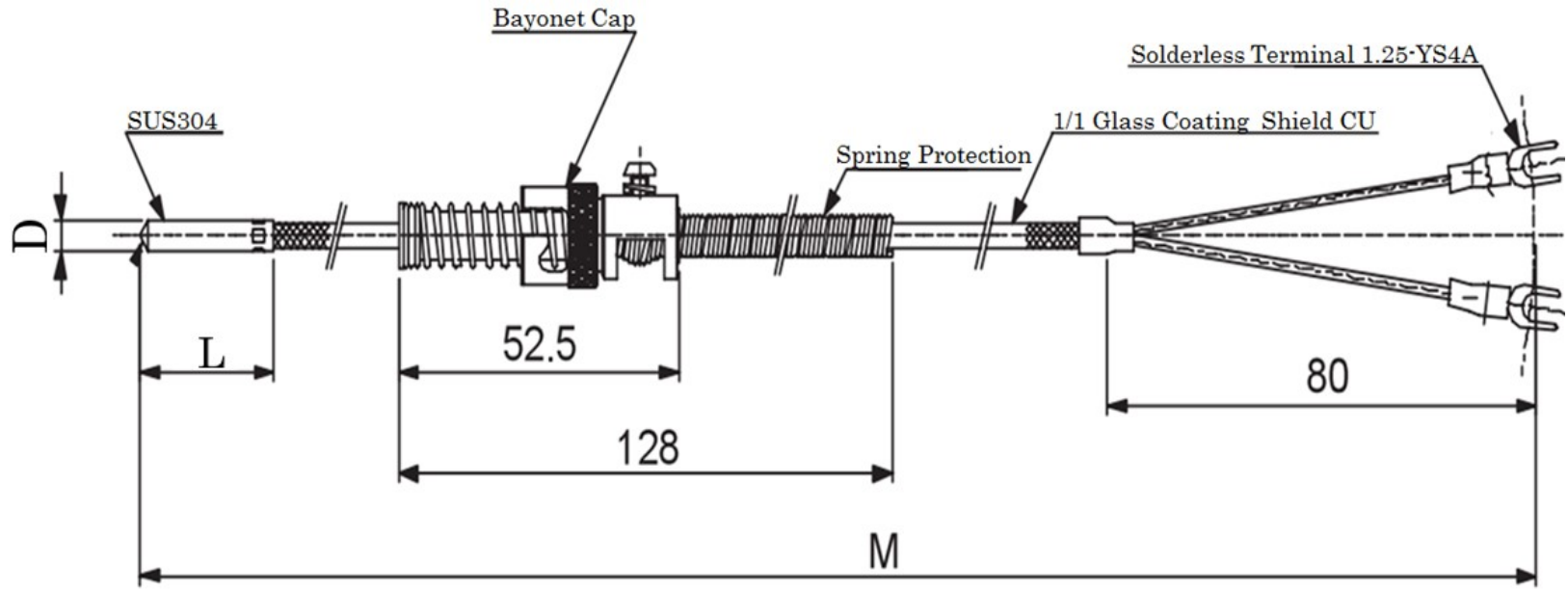
PC-B			
<u>RANGE</u>	<u>WIRE DIA</u>	<u>PROTECTION TUBE MATERIALS</u>	<u>LEAD LENGTH</u>
Min Temp.....(°C)	Ø0.65mm	Brass · SUS-304	M=0.5m unit
Max Temp.....(°C)	Other:	Other:	Other:
<u>SENSOR TYPE</u>	<u>PROTECTION TUBE DIA</u>	<u>HEAT SENSOR PART</u>	
Type K	D= Ø4.8mm D= Ø6mm	L=65mm	
Type J	D= Ø5mm	L=100mm (Possible optional)	
Other:	Other:	Other:	
NOTE (Working temperature, measure object, etc.):			
.....			

Shinko SHINKO TECHNOS CO., LTD.
 Reg. Office: 2-5-1, Senbahigashi, Minoo, Osaka, Japan
 URL :<http://www.shinko-technos.co.jp>
 MADE IN JAPAN 



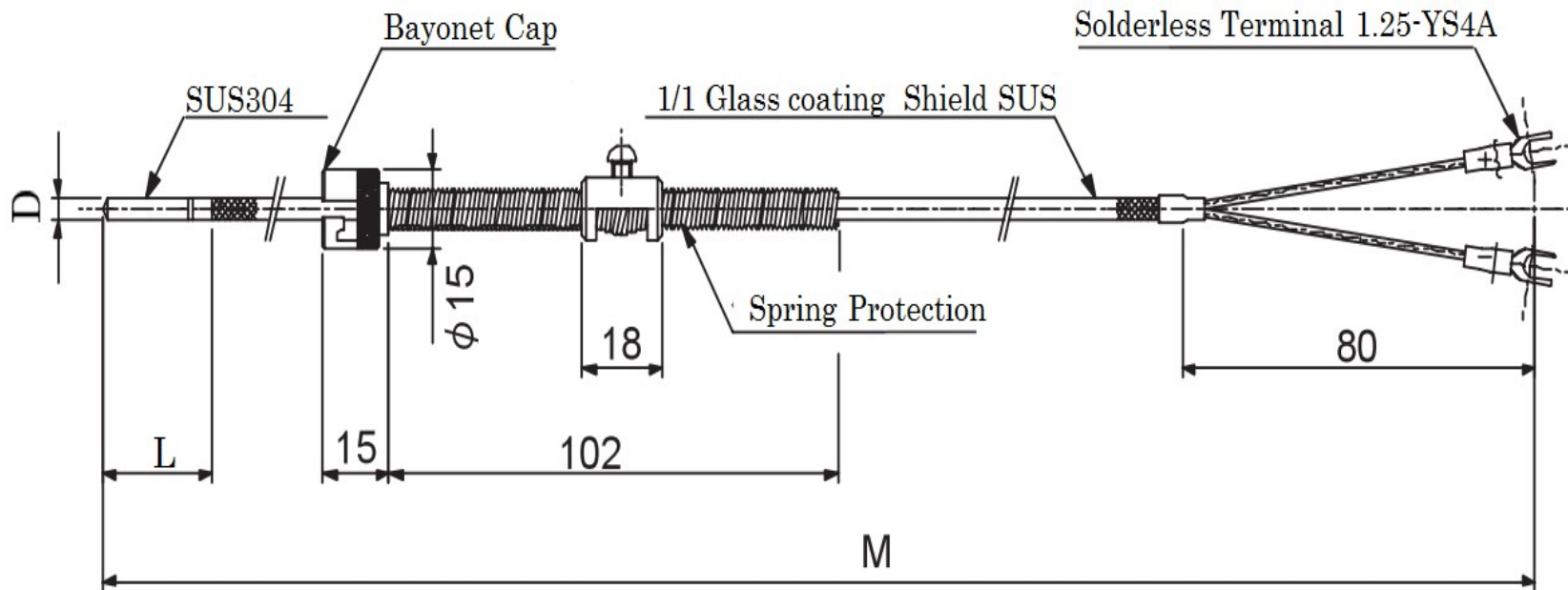
PC-SB(With lock nuts)			
<u>RANGE</u>	<u>WIRE DIA</u>	<u>PROTECTION TUBE MATERIALS</u>	<u>LEAD LENGTH</u>
Min Temp.....(°C)	Ø0.65mm	Brass · SUS-304	M=0.5m unit
Max Temp.....(°C)	Other:	Other.....	Other:
<u>SENSOR TYPE</u>	<u>PROTECTION TUBE DIA</u>	<u>HEAT SENSOR PART</u>	
Type K	D= Ø5mm	L=65mm L2=35mm (fixing)	
Type J	Other:	L=100mm	
Other:		Other:	
NOTE (Working temperature, measure object, etc.):			
.....			

Shinko SHINKO TECHNOS CO., LTD.
 Reg. Office: 2-5-1, Senbahigashi, Minoo, Osaka, Japan
 URL :<http://www.shinko-technos.co.jp>
 MADE IN JAPAN 



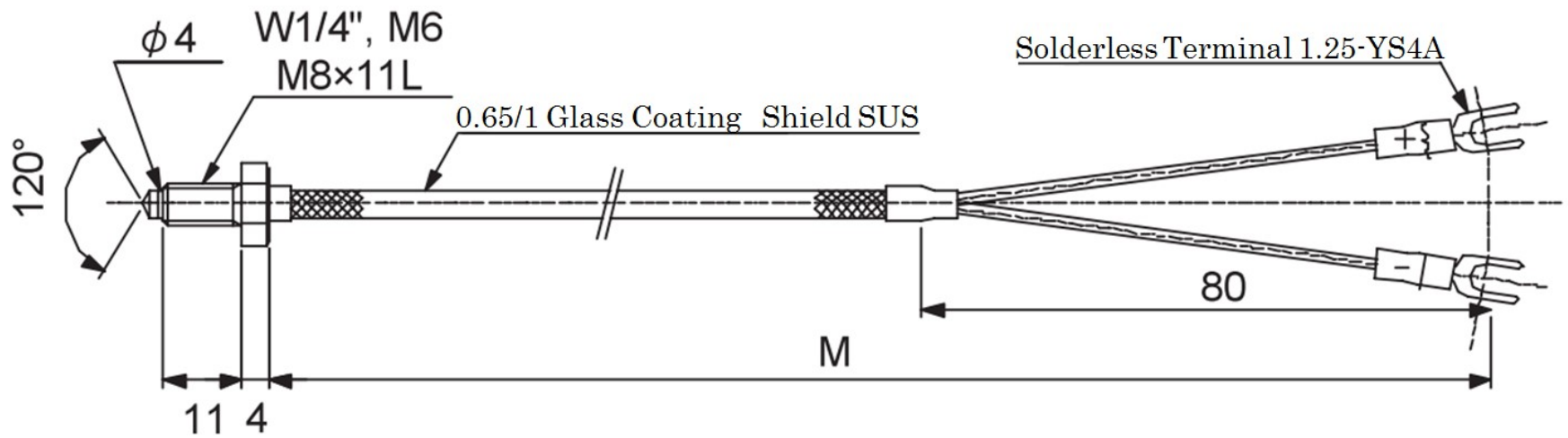
PC-SG(Type sliding pressure)			
<u>RANGE</u>	<u>WIRE DIA</u>	<u>PROTECTION TUBE MATERIALS</u>	<u>LEAD LENGTH</u>
Min Temp.....(°C)	Ø0.65mm	SUS-304	M=0.5m unit
Max Temp.....(°C)	Other:	Other:	Other:
<u>SENSOR TYPE</u>	<u>PROTECTION TUBE DIA</u>	<u>HEAT SENSOR PART</u>	
Type K	D= Ø4.8mm	L=25mm	
Other:	Other:	Other:	
NOTE (Working temperature, measure object, etc...):			
.....			

Shin SHINKO TECHNOS CO., LTD.
 Reg. Office: 2-5-1, Senbahigashi, Minoo, Osaka, Japan
 URL : <http://www.shinko-technos.co.jp>
 MADE IN JAPAN 



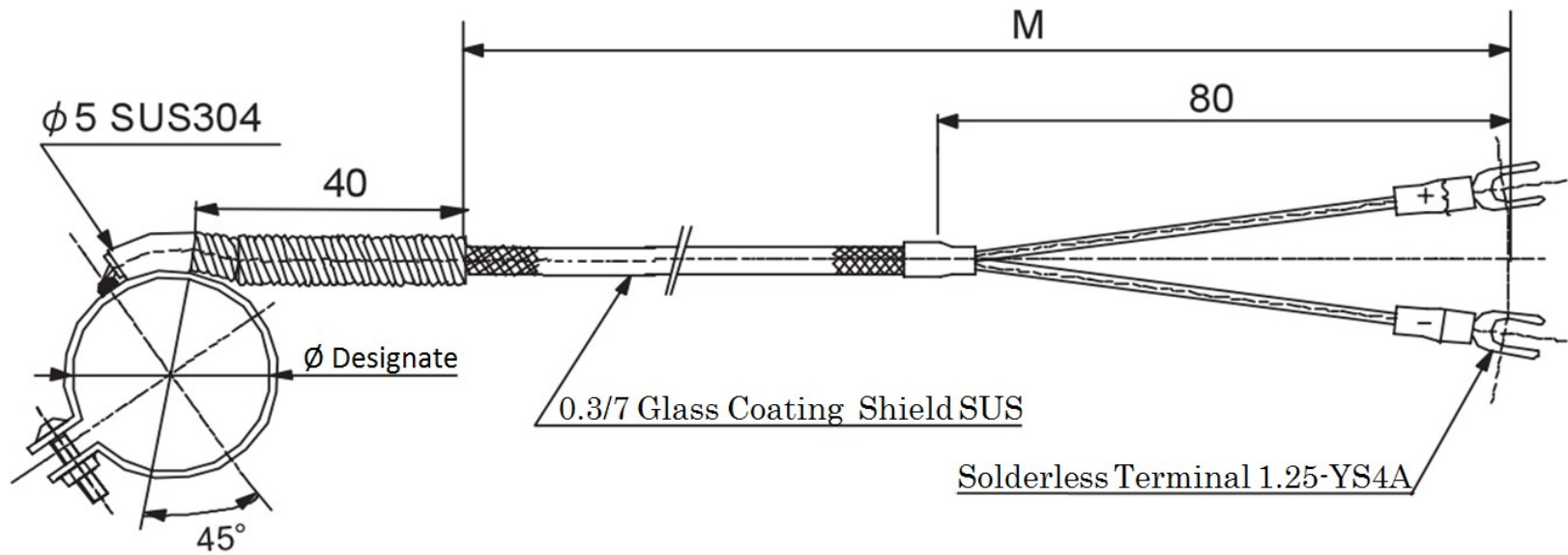
PC-SH(Type sliding pressure)			
<u>RANGE</u>	<u>WIRE DIA</u>	<u>PROTECTION TUBE MATERIALS</u>	<u>LEAD LENGTH</u>
Min Temp.....(°C)	Ø0.65mm	SUS-304	M=0.5m unit
Max Temp.....(°C)	Other:	Other:	Other:
<u>SENSOR TYPE</u>	<u>PROTECTION TUBE DIA</u>	<u>HEAT SENSOR PART</u>	
Type K	D= Ø4.8mm	L=25mm	
Other:	Other:	Other:	
NOTE (Working temperature, measure object, etc...):			
.....			

Shin SHINKO TECHNOS CO., LTD.
 Reg. Office: 2-5-1, Senbahigashi, Minoo, Osaka, Japan
 URL :<http://www.shinko-technos.co.jp>
 MADE IN JAPAN 



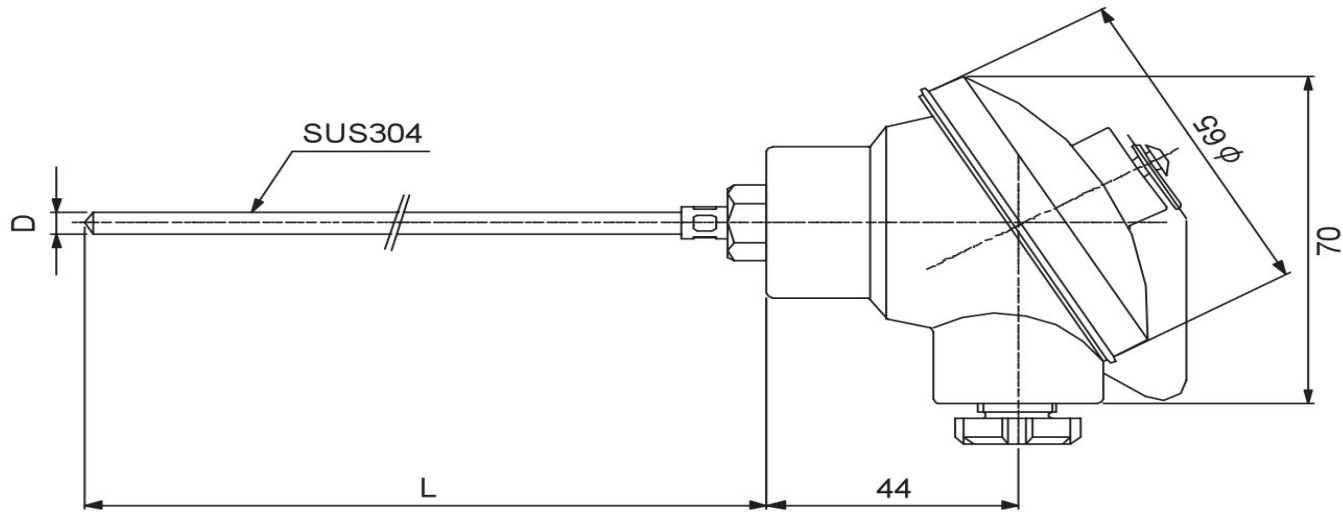
PS-C		
<u>RANGE</u>	<u>WIRE DIA</u>	<u>REMARKS</u>
Min Temp.....(°C)	Ø0.65mm	With 1/4" screw (or with M6 screw, SUS-304)
Max Temp.....(°C)	Other:	Other:
<u>SENSOR TYPE</u>	<u>LEAD LENGTH</u>	
Type K	M=0.5m unit	
Type J	Other:	
Other:		
NOTE (Working temperature, measure object, etc.):		
.....		

Shinko SHINKO TECHNOS CO., LTD.
 Reg. Office: 2-5-1, Senbahigashi, Minoo, Osaka, Japan
 URL : <http://www.shinko-technos.co.jp>
 MADE IN JAPAN 



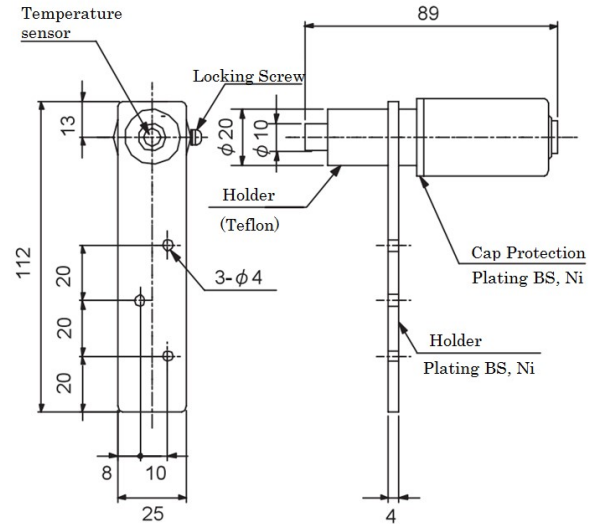
PC-RT(Band type)		
<u>RANGE</u>	<u>BAND DIA</u>	<u>BAND MATERIALS</u>
Min Temp.....(°C)	20mm~Various sizes	SUS-304
Max Temp.....(°C)	Other:	Other:
<u>SENSOR TYPE</u>	<u>LEAD LENGTH</u>	
Type K	M=0.5m unit	
Other:	Other:	
NOTE (Working temperature, measure object, etc...):		
.....		

Shinko SHINKO TECHNOS CO., LTD.
 Reg. Office: 2-5-1, Senbahigashi, Minoo, Osaka, Japan
 URL :<http://www.shinko-technos.co.jp>
 MADE IN JAPAN 



TC-E		
<u>RANGE</u>	<u>WIRE DIA</u>	<u>PROTECTION TUBE DIA</u>
Min Temp.....(°C)	Ø0.65mm Ø1.6mm Ø3.2mm	D= Ø5mm D= Ø8mm D= Ø12mm D= Ø22mm
Max	Ø1.0mm Ø2.3mm	D= Ø6mm D= Ø10mm D= Ø15mm
Temp.....(°C)	Other:	Other:
<u>SENSOR TYPE</u>	<u>LEAD LENGTH</u>	<u>HEAT SENSOR PART</u>
Type K	M=0.5m unit	L=100mm~possible optional
Type J	Lead wire (Selling separately)	Other:
Other:	Other:	
NOTE (Working temperature, measure object, etc.):		
.....		

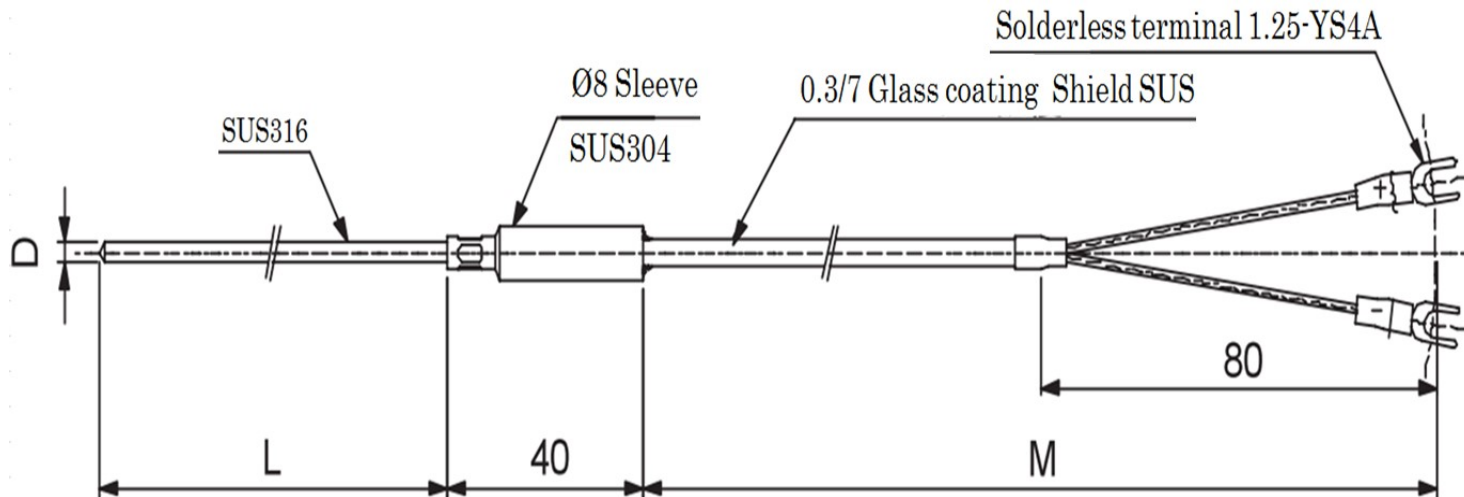
Shin SHINKO TECHNOS CO., LTD.
 Reg. Office: 2-5-1, Senbahigashi, Minoo, Osaka, Japan
 URL : <http://www.shinko-technos.co.jp>
 MADE IN JAPAN 



PC-IR(For measurement of rolling surface temp)

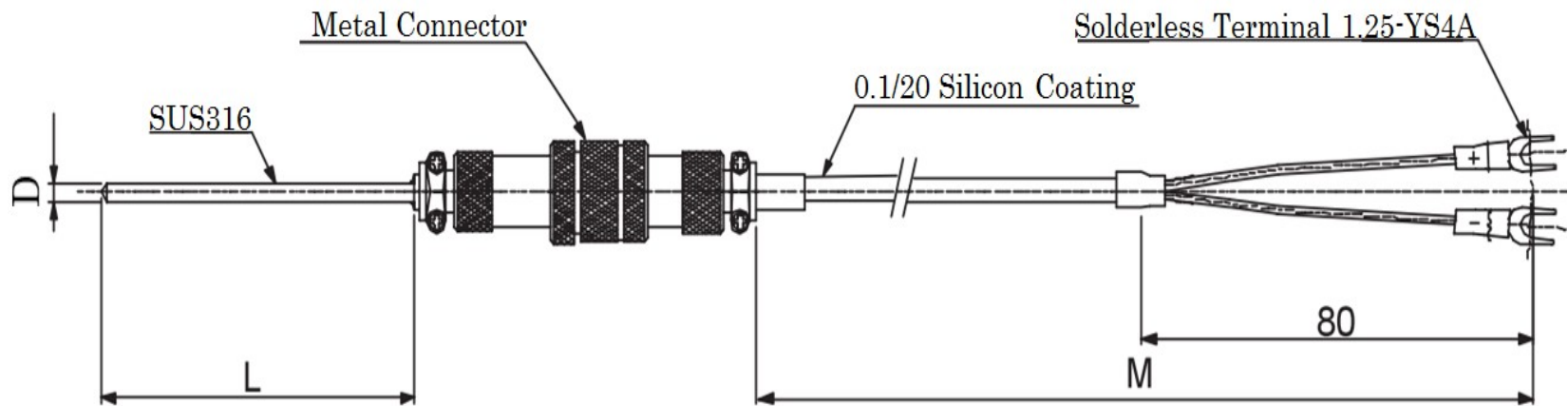
PC-IR(For measurement of rolling surface temp)		
<u>RANGE</u>	<u>WIRE DIA</u>	<u>END TIP MATERIALS</u>
Min Temp.....(°C)	Ø 0.32mm	Brass
Max Temp.....(°C)	Other:	Teflon(Replaceable)
		Other:
<u>SENSOR TYPE</u>	<u>LEAD LENGTH</u>	
Type K	M=0.5m unit	
Type J	0.3/7 vinyl coating(Selling separately)	
Other:	Other:	
NOTE (Working temperature, measure object, etc...):		
.....		

Shinko SHINKO TECHNOS CO., LTD.
 Reg. Office: 2-5-1, Senbahigashi, Mino, Osaka, Japan
 URL : <http://www.shinko-technos.co.jp>
 MADE IN JAPAN 



PC-B Sheath (TC-S)		
<u>RANGE</u>	<u>SHEATH LENGTH</u>	<u>LEAD LENGTH</u>
Min Temp.....(°C)	L=100mm~Possible optional	M=0.5m unit
Max Temp.....(°C)	Other:	Other:
<u>SHEATH TYPE THERMOCOUPLES</u>	<u>SHEATH DIAMETER</u>	<u>PROTECTION TUBE</u>
Type SK	D= Ø1.0mm D= Ø3.2mm D= Ø8.0mm	<u>MATERIALS</u>
Type SJ	D= Ø1.6mm D= Ø4.8mm	SUS316
Type ST	D= Ø2.3mm D= Ø6.4mm	Other:
Other:	Other:	
NOTE (Working temperature, measure object, etc.):		
.....		

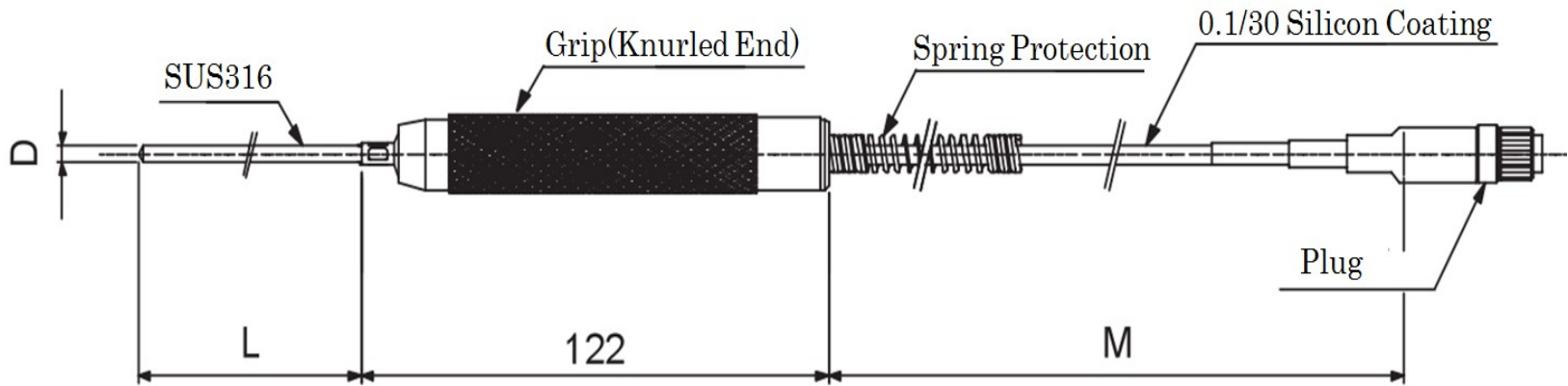
Shinko SHINKO TECHNOS CO., LTD.
 Reg. Office: 2-5-1, Senbahigashi, Minoo, Osaka, Japan
 URL : <http://www.shinko-technos.co.jp>
 MADE IN JAPAN 



PC-SK Sheath(Type hook up connector)

<u>RANGE</u>	<u>SHEATH LENGTH</u>	<u>SHEATH DIAMETER</u>
Min Temp.....(°C)	L=65mm	D=Ø3.2mm
Max Temp.....(°C)	L=100mm	Other:
	Other:	
<u>SHEATH TYPE THERMOCOUPLES</u>	<u>LEAD LENGTH</u>	<u>PROTECTION TUBE MATERIALS</u>
Type SK	M=0.5m unit	SUS316
Type SJ	Other:	Other:
Type ST		
Other:		
NOTE (Working temperature, measure object, etc.):		
.....		

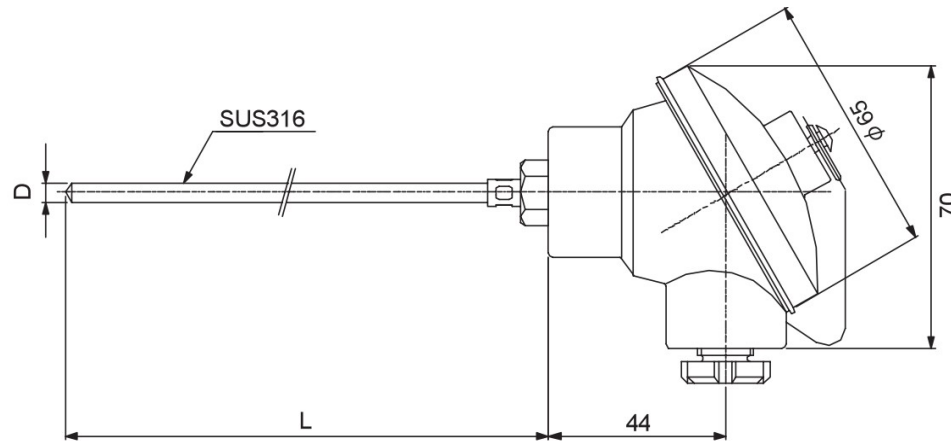
Shinko SHINKO TECHNOS CO., LTD.
 Reg. Office: 2-5-1, Senbahigashi, Minoo, Osaka, Japan
 URL :<http://www.shinko-technos.co.jp>
 MADE IN JAPAN 



PC-E Sheath (With grip)

<u>RANGE</u>	<u>SHEATH LENGTH</u>	<u>SHEATH DIAMETER</u>
Min Temp.....(°C)	L=100mm~possible optional	D= Ø1.6mm D= Ø3.2mm D= Ø6.4mm
Max Temp.....(°C)	Other:	D= Ø2.3mm D= Ø4.8mm D= Ø8.0mm
		Other:
<u>SHEATH TYPE THERMOCOUPLES</u>	<u>LEAD LENGTH</u>	<u>PROTECTION TUBE MATERIALS</u>
Type SK	M=0.5m unit	SUS316
Type SJ	Other:	Other:
Type ST		
Other:		
NOTE (Working temperature, measure object, etc...):		
.....		

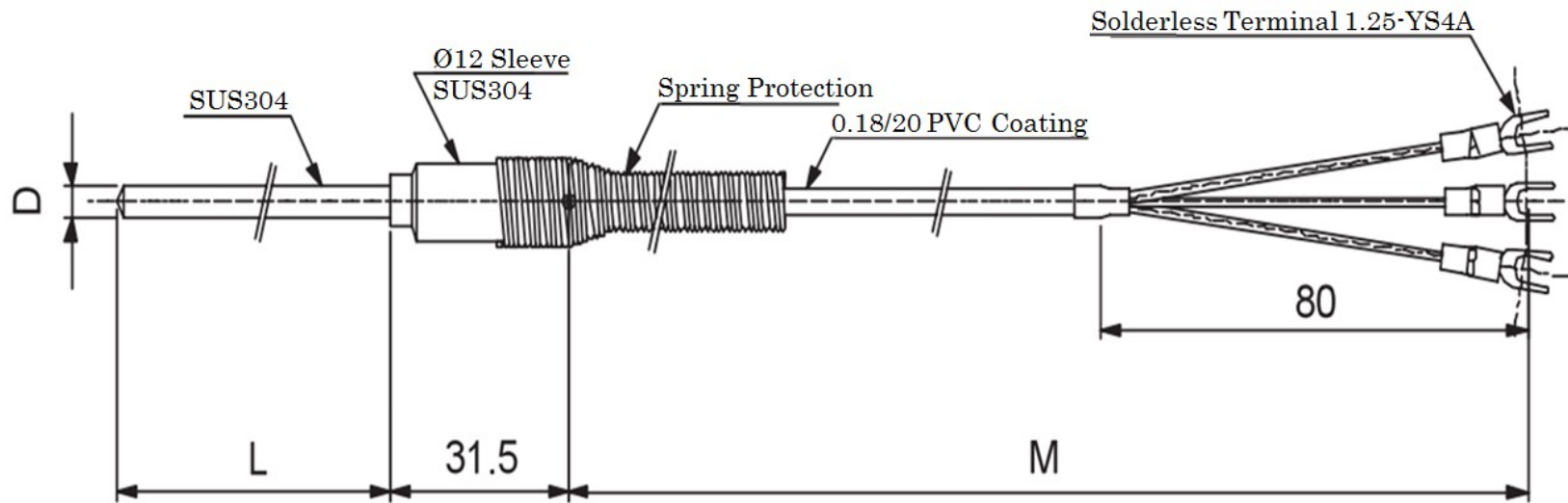
Shinoh SHINKO TECHNOS CO., LTD.
 Reg. Office: 2-5-1, Senbahigashi, Minoo, Osaka, Japan
 URL :<http://www.shinko-technos.co.jp>
 MADE IN JAPAN 



TC-E Sheath

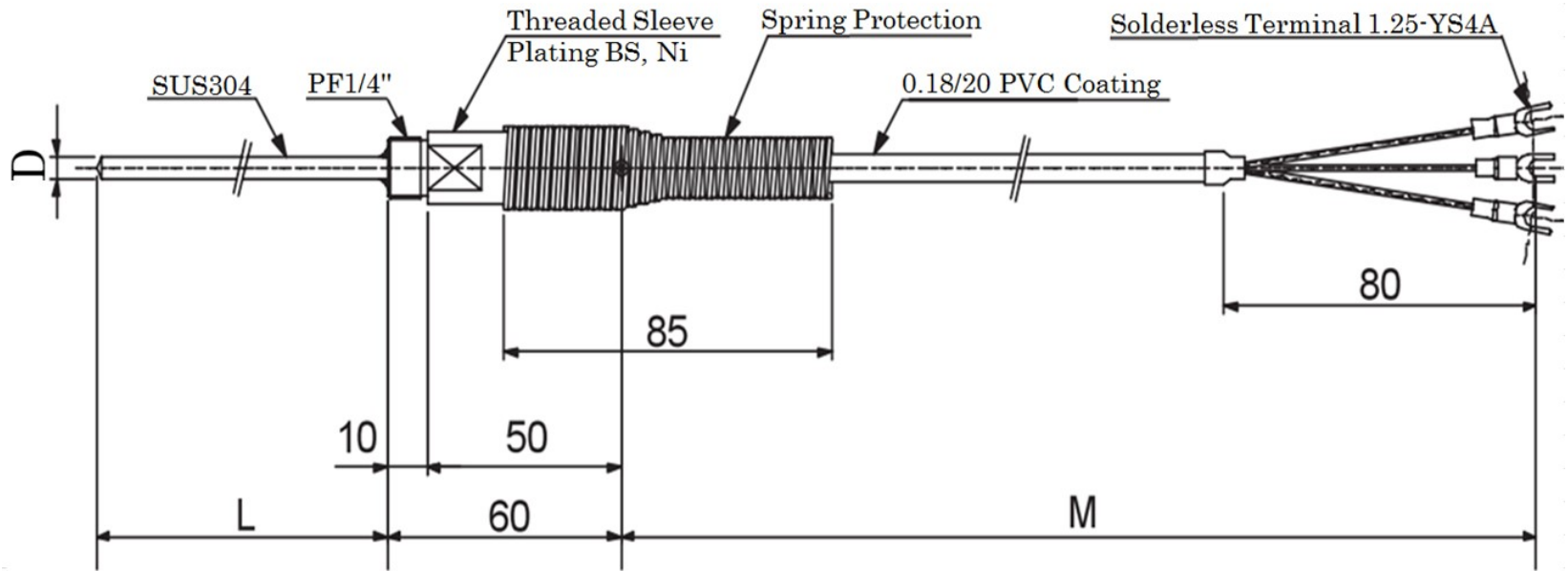
TC-E Sheath		
<u>RANGE</u>	<u>SHEATH LENGTH</u>	<u>SHEATH DIAMETER</u>
Min Temp.....(°C)	L=100mm~Possible optional	D= Ø1.0mm D= Ø3.2mm D= Ø8.0mm
Max Temp.....(°C)	Other:	D= Ø1.6mm D= Ø4.8mm
		D= Ø2.3mm D= Ø6.4mm
		Other:
<u>SHEATH TYPE THERMOCOUPLES</u>	<u>LEAD LENGTH</u>	<u>PROTECTION TUBE MATERIALS</u>
Type SK	M=0.5m unit	SUS316
Type SJ	Lead wire (Selling separately)	Other:
Type ST	Other:	
Other:		
NOTE (Working temperature, measure object, etc...):		
.....		

Shinjo SHINKO TECHNOS CO., LTD.
 Reg. Office: 2-5-1, Senbahigashi, Minoo, Osaka, Japan
 URL : <http://www.shinko-technos.co.jp>
 MADE IN JAPAN 



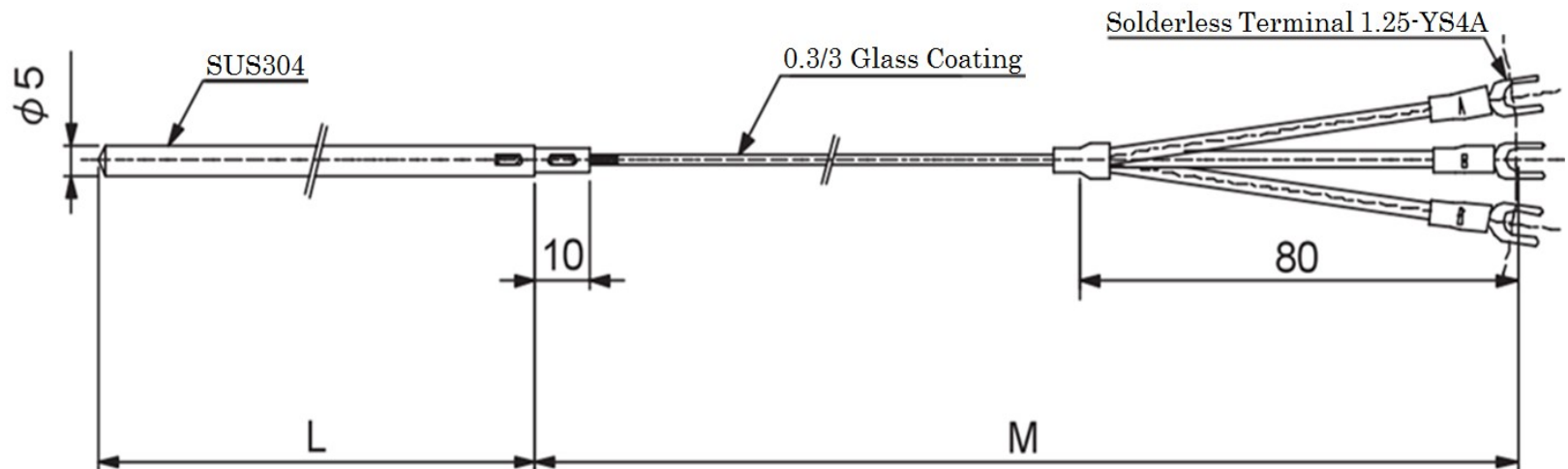
PC-BR		
<u>RANGE</u>	<u>HEAT SENSOR PART</u>	<u>LEAD LENGTH</u>
Min Temp.....(°C)	L=100mm~Possible optional	M=0.5m unit
Max Temp.....(°C)	Other:	Other:
<u>RESISTANCE ELEMENT</u>	<u>PROTECTION TUBE DIA</u>	<u>PROTECTION TUBE MATERIALS</u>
Type Pt100	D= Ø4.8mm D= Ø6mm	SUS304
Other:	D= Ø5mm	Other:
NOTE (Working temperature, measure object, etc.):		
.....		

Shinko SHINKO TECHNOS CO., LTD.
 Reg. Office: 2-5-1, Senbahigashi, Minoo, Osaka, Japan
 URL : <http://www.shinko-technos.co.jp>
 MADE IN JAPAN 



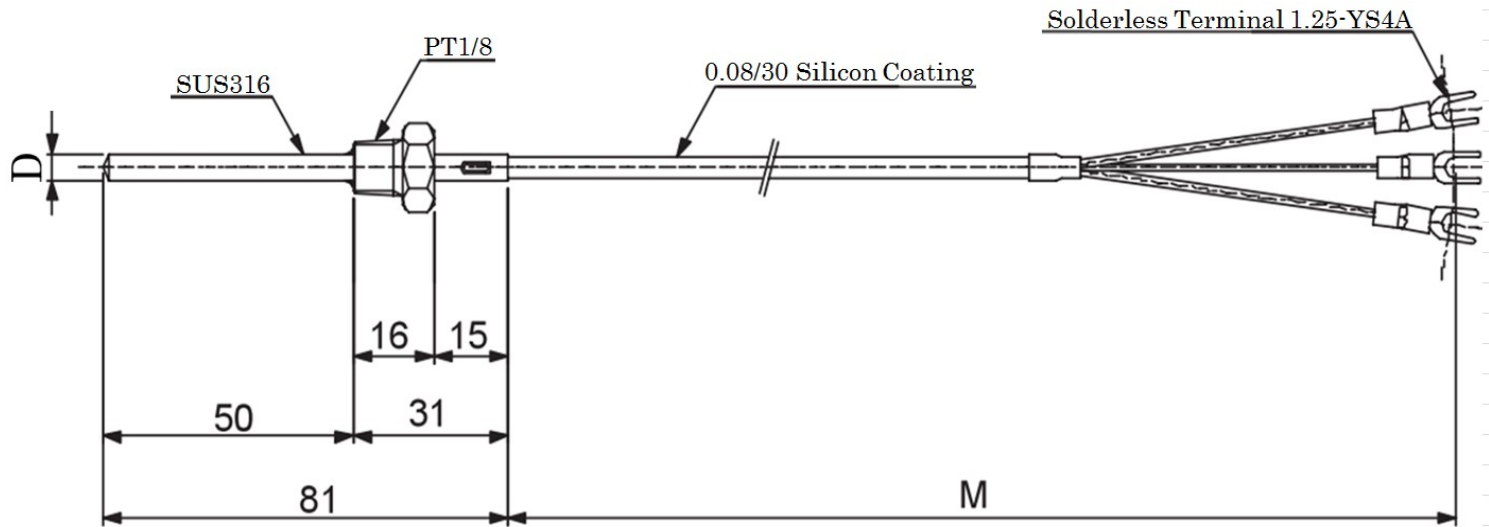
SP-RB		
<u>RANGE</u>	<u>HEAT SENSOR PART</u>	<u>PROTECTION TUBE MATERIALS</u>
Min Temp.....(°C)	L=100mm	SUS304
Max Temp.....(°C)	Other:	Other:
<u>RESISTANCE ELEMENT</u>	<u>PROTECTION TUBE DIA</u>	<u>LEAD LENGTH</u>
Type Pt100	D= Ø5mm	M=0.5m unit
Other:	Other:	Other:
NOTE (Working temperature, measure object, etc...):		
.....		

Shinoh SHINKO TECHNOS CO., LTD.
 Reg. Office: 2-5-1, Senbahigashi, Minoo, Osaka, Japan
 URL :<http://www.shinko-technos.co.jp>
 MADE IN JAPAN 



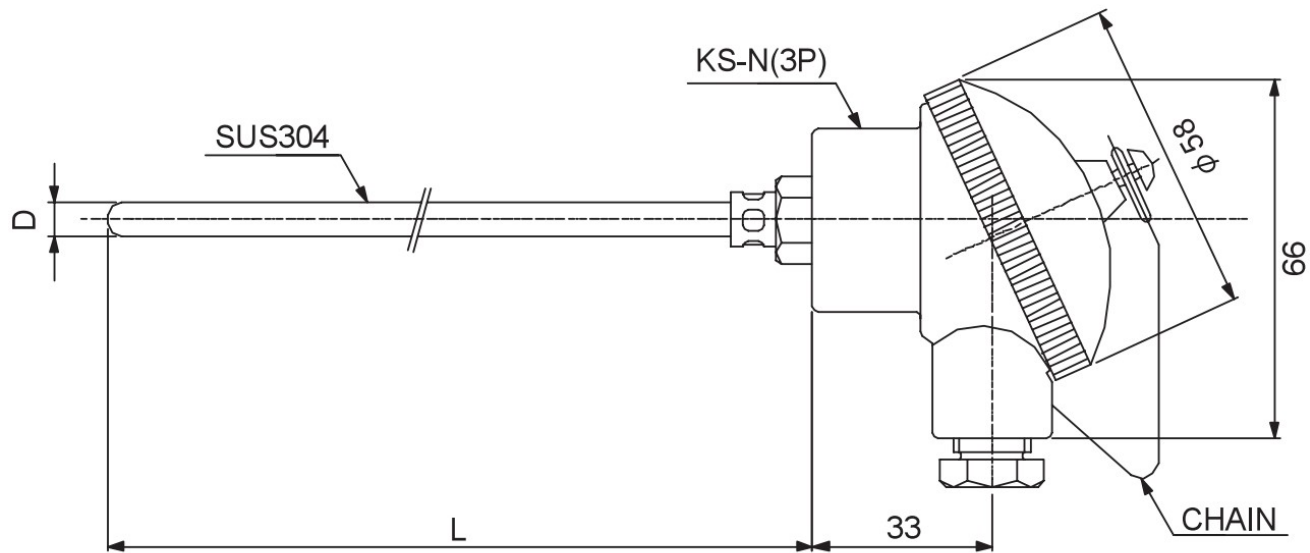
NR-100-P		
<u>RANGE</u>	<u>HEAT SENSOR PART</u>	<u>PROTECTION TUBE MATERIALS</u>
Min Temp.....(°C)	L=60mm	SUS304
Max Temp.....(°C)	L=100mm	Other:
	Other:	
<u>RESISTANCE ELEMENT</u>	<u>PROTECTION TUBE DIA</u>	<u>LEAD LENGTH</u>
Type Pt100	D= Ø5mm	M=0.5m
Other:	Other:	Other:
NOTE (Working temperature, measure object, etc.):		
.....		

Shinko SHINKO TECHNOS CO., LTD.
 Reg. Office: 2-5-1, Senbahigashi, Minoo, Osaka, Japan
 URL : <http://www.shinko-technos.co.jp>
 MADE IN JAPAN 



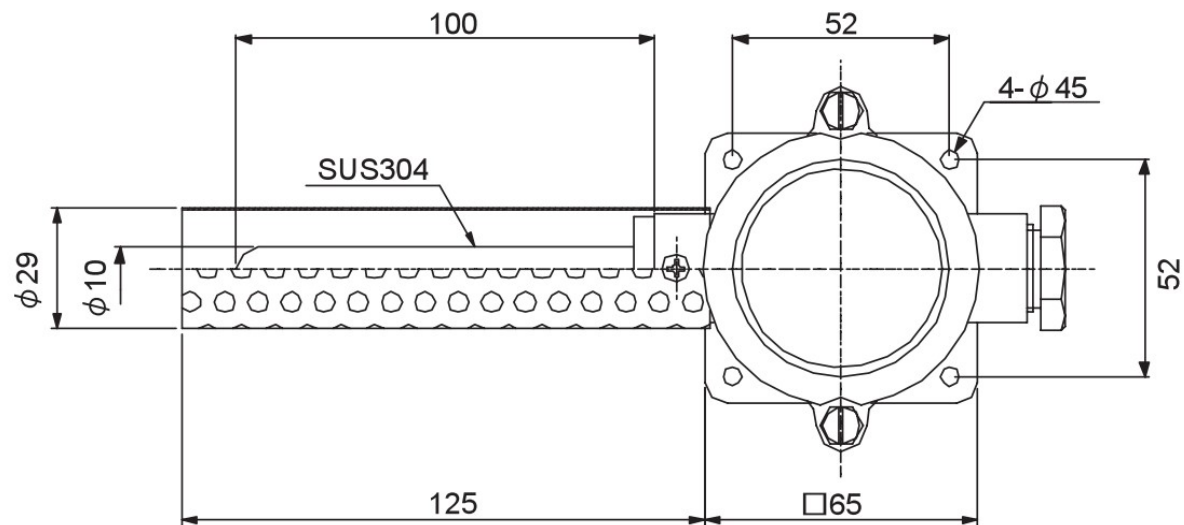
With screw NR-100-P		
<u>RANGE</u>	<u>HEAT SENSOR PART</u>	<u>PROTECTION TUBE MATERIALS</u>
Min Temp.....(°C)	L=50mm(Screw under)	SUS316
Max Temp.....(°C)	Other:	Other:
<u>RESISTANCE ELEMENT</u>	<u>PROTECTION TUBE DIA</u>	<u>LEAD LENGTH</u>
Type Pt100	D= Ø4.8mm	M=0.5m unit
Other:	Other:	Other:
NOTE (Working temperature, measure object, etc.):		
.....		

Shinko SHINKO TECHNOS CO., LTD.
 Reg. Office: 2-5-1, Senbahigashi, Minoo, Osaka, Japan
 URL :<http://www.shinko-technos.co.jp>
 MADE IN JAPAN 



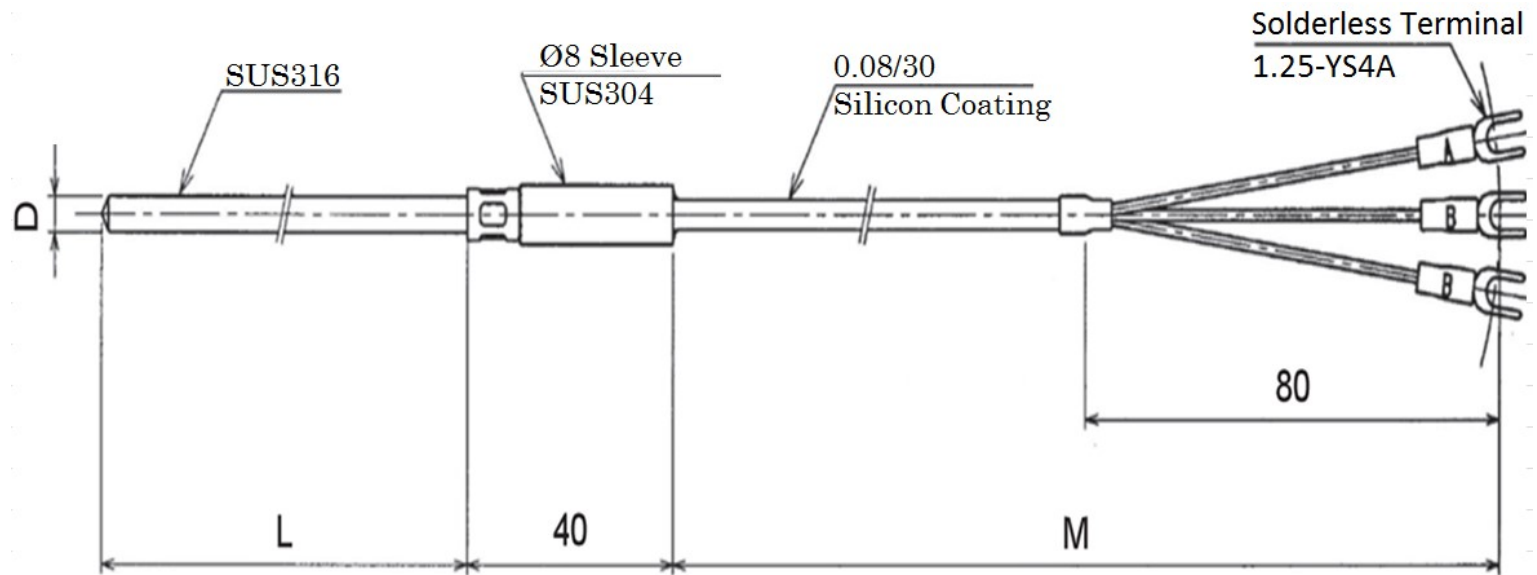
TC-R		
<u>RANGE</u>	<u>HEAT SENSOR PART</u>	<u>PROTECTION TUBE MATERIALS</u>
Min Temp.....(°C)	L=100mm~possible optional	SUS304
Max Temp.....(°C)	Other:	Other:
<u>RESISTANCE ELEMENT</u>	<u>PROTECTION TUBE DIA</u>	<u>LEAD LENGTH</u>
Type Pt100	D= Ø5mm D= Ø8mm D= Ø12mm	M=0.5m unit
Other:	D= Ø6mm D= Ø10mm D= Ø15mm	Lead (Selling separately)
	Other:	Other:
NOTE (Working temperature, measure object, etc.):		
.....		

Shinko SHINKO TECHNOS CO., LTD.
 Reg. Office: 2-5-1, Senbahigashi, Minoo, Osaka, Japan
 URL : <http://www.shinko-technos.co.jp>
 MADE IN JAPAN 



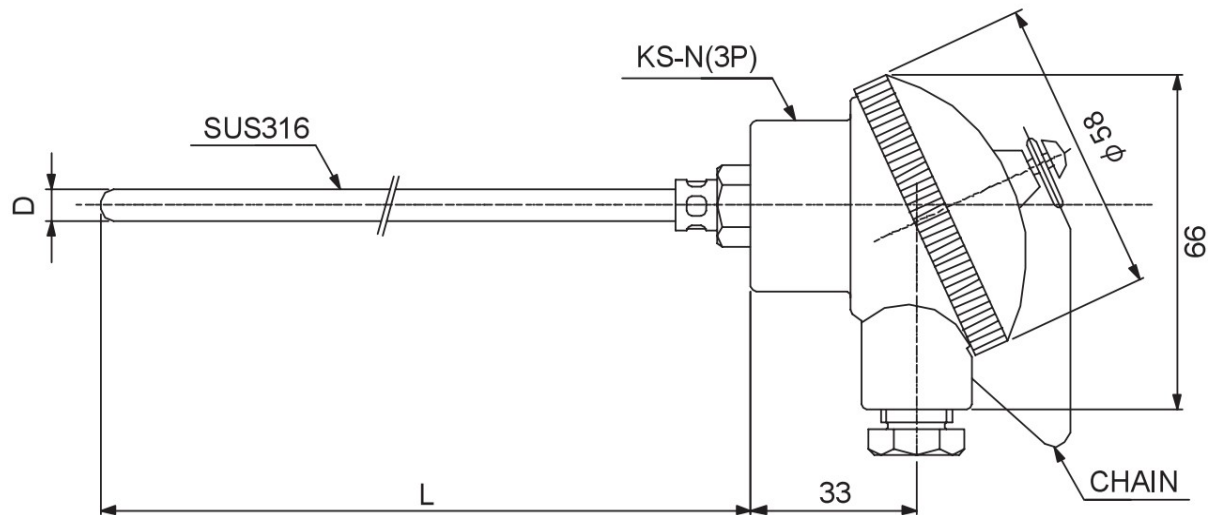
TC-RR	
<u>RANGE</u> Min Temp.....(°C) Max Temp.....(°C)	<u>HEAT SENSOR PART</u> L=100mm Other:
<u>RESISTANCE ELEMENT</u> Type Pt100 Other:	<u>LEAD LENGTH</u> M=0.5m unit Lead (Selling separately) Other:
NOTE (Working temperature, measure object, etc.):	
.....	

Shinko SHINKO TECHNOS CO., LTD.
 Reg. Office: 2-5-1, Senbahigashi, Mino, Osaka, Japan
 URL : <http://www.shinko-technos.co.jp>
 MADE IN JAPAN 



PC-BR Sheath		
<u>RANGE</u>	<u>SHEATH LENGTH</u>	<u>PROTECTION TUBE MATERIALS</u>
Min Temp.....(°C)	L=100mm~Possible optional	SUS316
Max Temp.....(°C)	Other:	Other:
<u>RESISTANCE ELEMENT</u>	<u>PROTECTION TUBE DIA</u>	<u>LEAD LENGTH</u>
Type Pt100	D= Ø3.2mm D= Ø6.4mm	M=0.5m unit
Other:	D= Ø4.8mm D= Ø8.0mm	Other:
NOTE (Working temperature, measure object, etc.):		
.....		

Shinko SHINKO TECHNOS CO., LTD.
 Reg. Office: 2-5-1, Senbahigashi, Minoo, Osaka, Japan
 URL : <http://www.shinko-technos.co.jp>
 MADE IN JAPAN 



TC-R Sheath		
<u>RANGE</u>	<u>SHEATH LENGTH</u>	<u>PROTECTION TUBE MATERIALS</u>
Min Temp:(°C)	L=100mm~Possible optional	SUS316
Max Temp:(°C)	Other:	Other:
<u>RESISTANCE ELEMENT</u>	<u>PROTECTION TUBE DIA</u>	<u>LEAD LENGTH</u>
Type Pt100	D= Ø3.2mm D= Ø6.4mm	M=0.5m unit Lead (Selling separately)
Other:	D= Ø4.8mm D= Ø8.0mm	Other:
NOTE (Working temperature, measure object, etc...):		
.....		

Shinko SHINKO TECHNOS CO., LTD.
 Reg. Office: 2-5-1, Senbahigashi, Mino, Osaka, Japan
 URL : <http://www.shinco-technos.co.jp>
 MADE IN JAPAN 

神港テクノス株式会社

環境事業部

大阪

〒562-0035 大阪府箕面市船場東2丁目5番1号

TEL (072)727-3991 FAX (072)727-2991

東京

〒332-0006 埼玉県川口市末広1丁目13番17号

TEL (048)223-7121 FAX (048)223-7120

名古屋

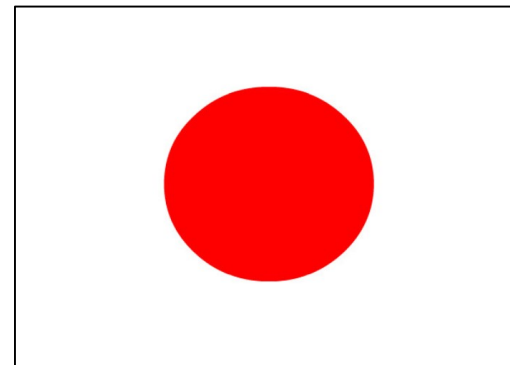
〒460-0013 愛知県名古屋市中区上前津1丁目7番2号

お客様相談室

TEL (072)727-3491

ホームページ

<http://www.shinko-technos.co.jp/aqua/>



Nhà nhập khẩu và phân phối

Tên giao dịch

SHINKO TECHNOS RESEARCH & DEVELOPMENT CO., LTD

Điện thoại

+84-(0)236-3 695 955

Fax

+84-(0)236-3 695 955

Địa chỉ

Lô C1-17,18,19,20,21 Khu Dân Cư Nam Cầu Cẩm lệ, Xã Hòa Phước,
Huyện Hòa Vang, TP Đà Nẵng ,Việt Nam

Mail

kytran@shinko-technos.co.jp

Website

<http://www.shinko.vn/>



MADE IN JAPAN